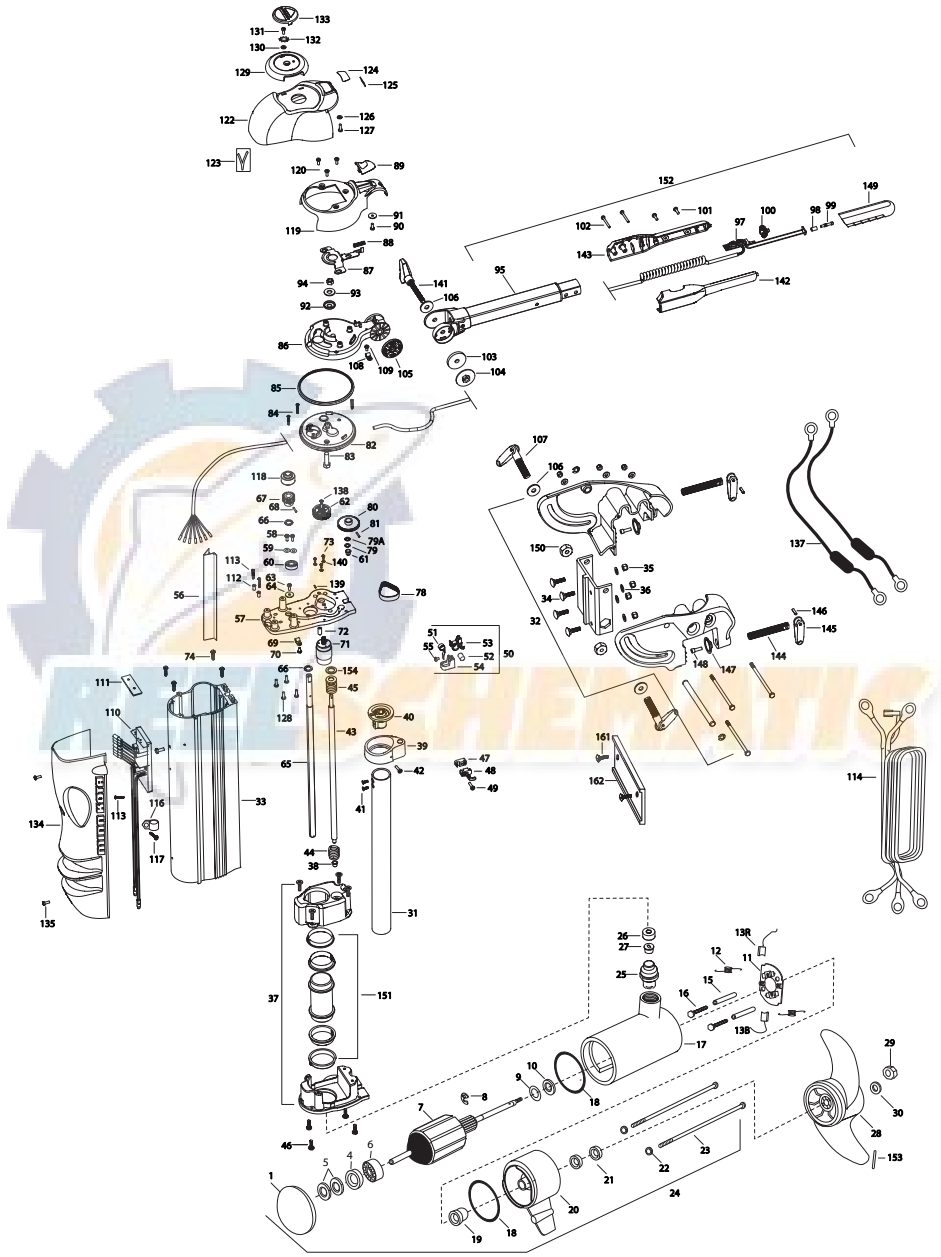


VANTAGE 101
101 LBS THRUST
36VOLT 46 AMPS

for use with "P" serial numbers
2-year warranty



In the U.S.A., replacement parts may be ordered directly from MINN KOTA Parts Dept. 121 Power Drive, P.O.Box 8129, Mankato, Minnesota 56002-8129. In Canada, parts may be ordered from any of the Canadian Authorized Service Centers shown on the enclosed list. Be sure to provide the MODEL and SERIAL numbers of your motor when ordering parts. Please use the correct part numbers from the parts list. Payment for any parts ordered from the MINN KOTA parts department, may be by cash, personal check, Discover Card, MasterCard or VISA. To order, call 1-800-227-6433 or FAX 1-800-527-4464.

Fuera de los Estados Unidos, consultar la lista anexa para ubicar el Centro de servicio autorizado MINN KOTA. No dejar de incluir el número del MODELO y el número de SERIE del motor para el cual se solicitan las piezas. Usar siempre los números de pieza correctos indicados en la lista de piezas.

1	421-276	PLAIN END HOUSING ASSEMBLY	■	2770405	TOP PLATE ASSEMBLY INCL.57,60,61,68			INCL. 106,107,150
4	990-045	THRUST SPACER	*57	2051927	TOP PLATE, VANTAGE	*106	2051737	WASHER-FLAT,ID.406 X OD.8
5	992-010	SPRING WASHER [2.EA]	58	2053414	SCREW-#8-32 X 1/2 TRI-LOBE[2.EA]	*107	2050922	HANDLE, TENSION, SHORT
6	140-010	BALL BEARING	59	2051717	WASHER-#8 SAE FLAT ZNK PLT [2.EA]	108	2052510	CABLE CLAMP, 3/16" VANTAGE [2.EA]
7	2-100-216	ARMATURE ASSEMBLY	*60	2057306	BEARING-BALL (VANTAGE)	109	2053415	SCREW-#8-32 X 3/8" TRI-LB[3.EA]
8	788-040	RETAINING RING	*61	2057302	BEARING-UPPER, LIFT SCREW	*110	2774041	CNTRL BRD ASSY 24/36V W/PAD INCL.111
9	990-051	WASHER-THRUST, STEEL	*62	2052630	PIN, CLUSTER GEAR	*111	2315105	INSULATING PAD
10	990-052	WASHER- NYLATRON	63	2053415	SCREW-#8-32 X 3/8 TRI-LOBE P	112	2261712	SHOULDER WASHER [2.EA]
■	2-600-144	BRUSH/WIRE/PLATE ASSEMBLY INCL.11-13	64	2051716	WASHER-FENDER #10	113	2053407	SCREW-#8-32 X .75 PPH[3.EA]
*11	738-004	BRUSH PLATE 4" TERMINAL	65	2052001	SHAFT-STEERING, VANTAGE	114	2051220	LEADWIRE 24/36V/3 CONDUCT
*12	975-041	SPRING -TORSION [2.EA]	66	2051706	WASHER-SPRING SUPPORT[2.EA]	116	2052512	CABLE CLAMP, 1/2" VANTAGE
13	188-094	BRUSH	67	2052205	GEAR, STEERING TUBE MACHINED	117	2053415	SCREW-#8-32 X 3/8" TRI-LOBE P
13	188-094	BRUSH	*68	2052615	PIN-DRIV-LOK 1/8 X 1 1/8	118	2052210	ROLLER-STEERING SHAFT
15	973-025	SPACER -BRUSH PLATE [2.EA]	69	2052510	CABLE CLAMP, 3/16" VANTAGE	■	2880102	CONTROL HEAD COVER LATCH KIT INCL. 89,90,91,119
16	830-027	SCREW -SELF THREADED 10-32 X 2" [2.EA]	70	2053415	SCREW-#8-32 X 3/8 TRI-LOBE P	119	2050200	COVER-CONTROL HEAD
17	431-110	HOUSING ASSEMBLY- CENTER	71	2777812	MOTOR-LIFT (12,24,36V)	120	2053415	SCREW-#8-32 X 3/8" TRI-LOBE[3.EA]
18	701-043	O-RING (2 REQ'D)	72	2058411	TENSIONER-BELT (VANTAGE)	121	2012100	SCREW-8-18 X 5/8" THD CUT[3.EA]
19	144-017	BEARING- FLANGE	73	2053422	SCREW - 3MM	122	2050211	SHROUD-CONTROL HEAD
20	2-300-160	BRUSH END HOUSING ASSEMBLY	74	2053413	SCREW-10-16X1" TYPE AB,HEX[4.EA]	123	2055612	DECAL-SHROUD (VANTAGE)[2.EA]
21	880-025	SEAL [2.EA]	■	2882201	CLUSTER GEAR / FLANGE PULLEY KIT INCL. 75,76,77	124	2055602	DECAL-COVER, 36V
22	701-009	O-RING - THRU BOLT [2.EA]	*75	2770428	PULLEY/PINION GEAR ASSEMBLY	125	2055610	DECAL-COVER, LED
■	2889460	SEAL & ORING KIT INCL. 18, 21, & 22	*76	2058405	FLANGE-PULLEY (VANTAGE)	126	2051712	WASHER - 152 ID, .50 OD, .06
23	830-096	THRU BOLT 1/2-24 X 1.1, 50" SS [2.EA]	*77	2053418	SCREW-4-40 X 1/4 PPH[2.EA]	127	2302100	SCREW-6-20 X 1/2" THD CUT
24	2316261	MOTOR ASSEMBLY, 4" 36V (ITEMS 1-27)	78	2050800	BELT-DRIVE (VANTAGE)	128	2012100	SCREW-8-18 X 5/8" THD CUT(4REQ'D)
25	979-015	STRAIN RELIEF - BODY	79	2051705	WASHER-NYLON ID.312 X OD.	129	2050110	KNOB-POINTER, VANTAGE
26	9850339	CAP - STRAIN RELIEF	79A	2051703	WASHER-THRUST ID.315, OD.562	130	2051717	WASHER- #8 SAE FLAT ZNK PLT
27	2382900	GROMMET- STRAIN RELIEF	■	2882200	GEAR LIFT/PIN KIT INCL.80,62	131	2332101	SCREW-8-32 X 1/2" SS
28	2331160	PROPELLER (W.WEDGE 2) MAX 101	*80	2990426	LIFT GEAR ASSEMBLY	132	2371715	LOCKWASHER-STAR #8 ZINC
29	2093101	NUT-PROP NYLOC (LARGE) MAX 101	81	2052620	PIN-DRIV-LOK 1/8 X 5/8"	133	2056700	PLUG, POINTER, VANTAGE
30	2091701	WASHER-PROP (LARGE) MAX 101	82	2056520	CAP-LOWER, GEAR HOUSING	134	2050220	SHIELD-EXTRUSION, VANTAGE
31	2772010	TUBE-MOTOR, 1 3/4" KIT W/TEMPLATE	83	2383500	BOLT-3/8-16 X 1.25	135	2053414	SCREW-#8-32 X 1/2" TRI-LOBE[2.EA]
32	2991822	TRANSOM BRACKET ASSEMBLY 36V	84	2053402	SCREW-10-24 X 1" TRI-LOBE [3.EA]	136	2055611	DECAL-SHIELD (VANTAGE)[2.EA]
33	2056505	HOUSING EXTRUSION	85	2054600	O-RING, GEAR HOUSING	137	2998200	CIRCUIT BRKR ASSEMBLY 36V [2.EA]
34	2053511	BOLT-CARRIAGE 5/16-18 1 1/4".EA]	86	2056510	CAP-UPPER, GEAR HOUSING	138	2051732	WASHER .315 X .562
35	2151726	WASHER-5/16 STD (S/S)[4.EA]	87	2057200	LATCH (VANTAGE)	139	2053420	SET SCREW #8-32
36	2053103	NUT, 5/16-18 NYLOC [4.EA]	88	2052711	SPRING, LATCH RETURN	140	2051710	LOCKWASHER 3MM
37	2770420	LOWER SUPPORT CAGE ASSEMBLY	89	2050102	KNOB-LATCH (VANTAGE)	141	2050921	HANDLE TENSION - LONG
38	2057302	BEARING-UPPER, LIFT SCREW	90	2353401	SCREW-10-16 X 1/2 STALGD	■	2880910	HANDLE L/R KIT INCL. 100,101,102,142,143,150
■	2881510	YOKE/BEARING RACE KIT INCL.39,40,42	91	2051716	WASHER-FENDER #10	*142	2050916	HANDLE SIDE L
*39	2051510	YOKE-LIFT SCREW	92	2151730	WASHER-CUP (HINGE BRACKET)	*143	2050911	HANDLE SIDE R
*40	2056200	BEARING RACE-YOKE	93	2051737	WASHER-3/8 FLAT (ZINC)	■	2880925	HANDLE/NUT SCREW KIT INCL. 2 EA OF 144-148
41	2053401	SCREW-10 X 1/2 TYPE 25,[2.EA]	94	2053107	NUT-3/8-16, TOPOCK	*144	2051300	SCREW-CLAMP 5/8X4
42	2353401	SCREW-10-16 X 1/2 STALGD	96	2990921	HANDLE ASSEMBLY, VANTAGE	*145	2050925	HANDLE-CLAMP SCREW
43	2053400	SCREW-LIFT, 1/2-10 ACME	■	2884106	HANDLE CTRL BOARD/GRIP KIT INCL. 97,149	*146	2052625	PIN-COILED SPRING
44	2052707	SPRING-COIL,SOFT STOP	*97	2994005	CTRL BOARD ASSEMBLY-HANDLE	*147	2011710	WASHER-CLAMP SCREW
45	2770429	COIL SPRING/WASHER ASSEMBLY KIT	98	2055115	BUTTON SWITCH ACTUATOR	*148	2263402	SCREW - 1/4-20X3/4"
46	2053413	SCREW-10-16X1" TYPE AB,HEX (4 REQ'D)	*99	2053700	PLUNGER/GRIP KIT INCL. 99,149	149	2880424	GRIP KIT
*47	2053200	WIRE CLAMP KIT INCL. 47,48,49	100	2050111	PLUNGER, ON/OFF	*150	2053105	NUT- HEX
*48	2053205	WIRE CLAMP, LEFTHAND	101	2012100	KNOB-SPEED CONTROL	151	2891500	TUBE/SLEEVE/BUSHING KIT
*49	2053417	SCREW-10-16X3/4 TYPE BT,PPH	102	2053412	SCREW-8-18 X 5/8" THD CUT[2.EA]	152	2990950	HANDLE/CTRL BOARD ASSEMBLY
50	2770400	TAPE SPRING ASSEMBLY INCL. 51-55	■	2880921	SCREW 8 X 1.5" TYPE 25 PPH[2.EA]	153	2262658	PROP PIN
51	2052705	SPRING, CONSTANT FORCE	*103	2051736	HANDLE TENSION KNOB KIT INCL. 103,104,105,141	154	2340610	CONNECTOR CABLE
52	2052610	PIN-PIVOT 7/16" O.D.	*104	2053115	WASHER-URETHN,ID.4 X OD 1	■	2994844	TRANSOM EXTRUSION KIT (INCL.161 & 162)
53	2051920	BRACKET-SPRING	*105	2050015	NUT-WASHER, HANDLE ASSEMBLY	*161	2053421	BOLT 14-14X1
54	2052305	WIRE GUIDE (VANTAGE)	■	2880920	RACHET-DISK, HANDLE ASSEMBLY	162	2058415	TRANSOM EXTRUSION
55	2053418	SCREW-#4-40X1/4 TYPE F,PPH			BRACKET TENSION HANDLE KIT			
56	2050225	WIRE SHIELD						

* THIS ITEM IS PART OF AN ASSEMBLY AND CAN NOT BE SOLD SEPARATELY

PIN 2054908 REV. K ECN 31083

11-08

36 Volt Systems- VANTAGE 101

1. Make sure that the motor is switched off (speed selector on "0").
2. Three 12 volt batteries are required.
3. The batteries must be wired in series, only as directed in wiring diagram, to provide 36 volts.
 - a. Connect the connector cable supplied with the motor to positive (+) terminal of battery 1 and to negative (-) terminal of battery 2.
 - b. Connect the connector cable supplied with the motor to positive (+) terminal of battery 2 and to negative (-) terminal of battery 3.
 - c. Connect positive (+) red lead to positive (+) terminal on battery 3.
 - d. Connect the yellow (+) lead to positive (+) terminal on battery 1.
 - e. Connect negative (-) black lead to negative (-) terminal of battery 1.
4. For safety reasons do not switch the motor on until the propeller is in the water.

If installing a leadwire plug, observe proper polarity and follow instructions in your boat owner's manual.

Over-Current Protection Devices not shown in illustrations.

VANTAGE 101 36 VOLTS ONLY

